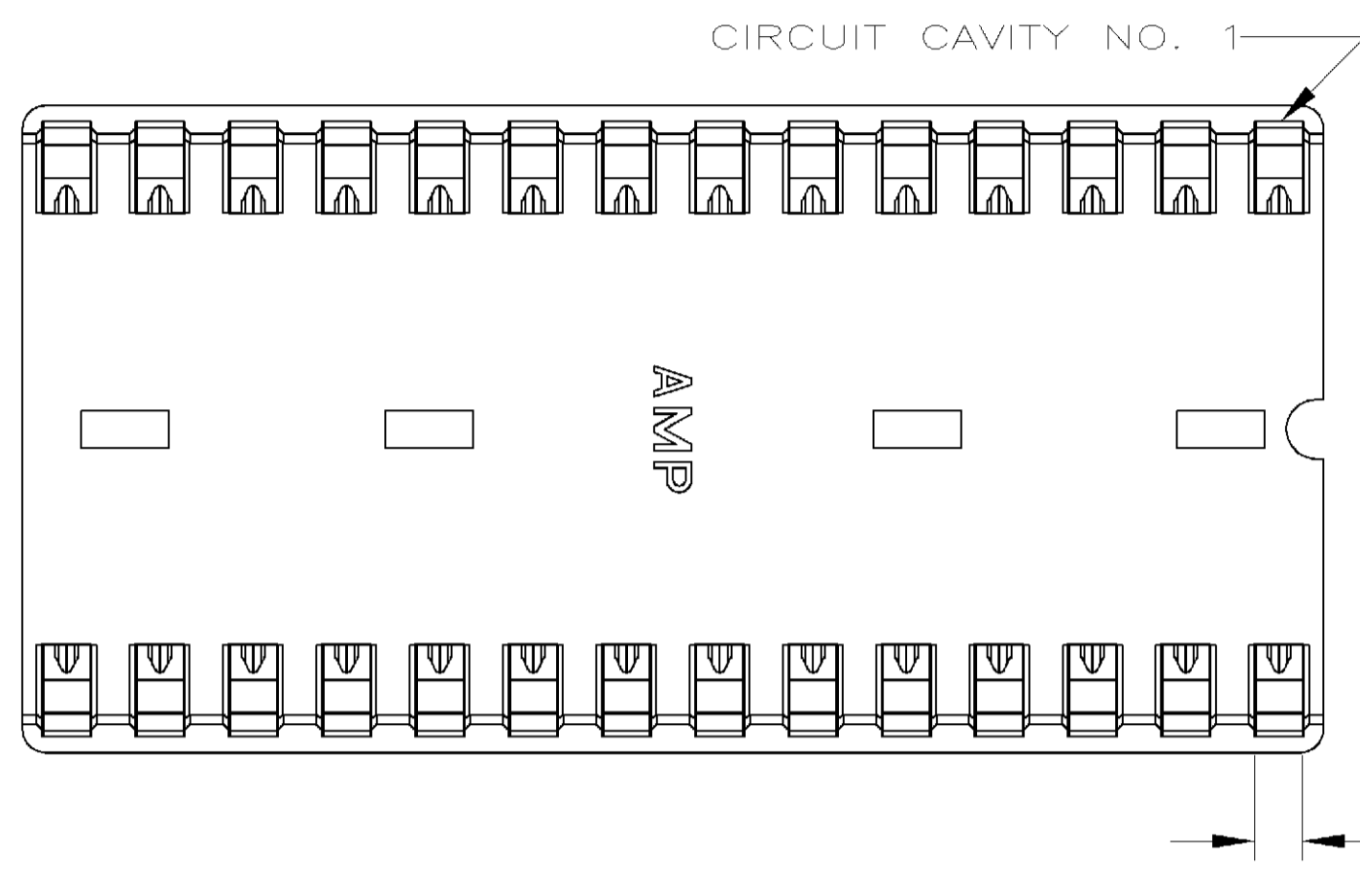
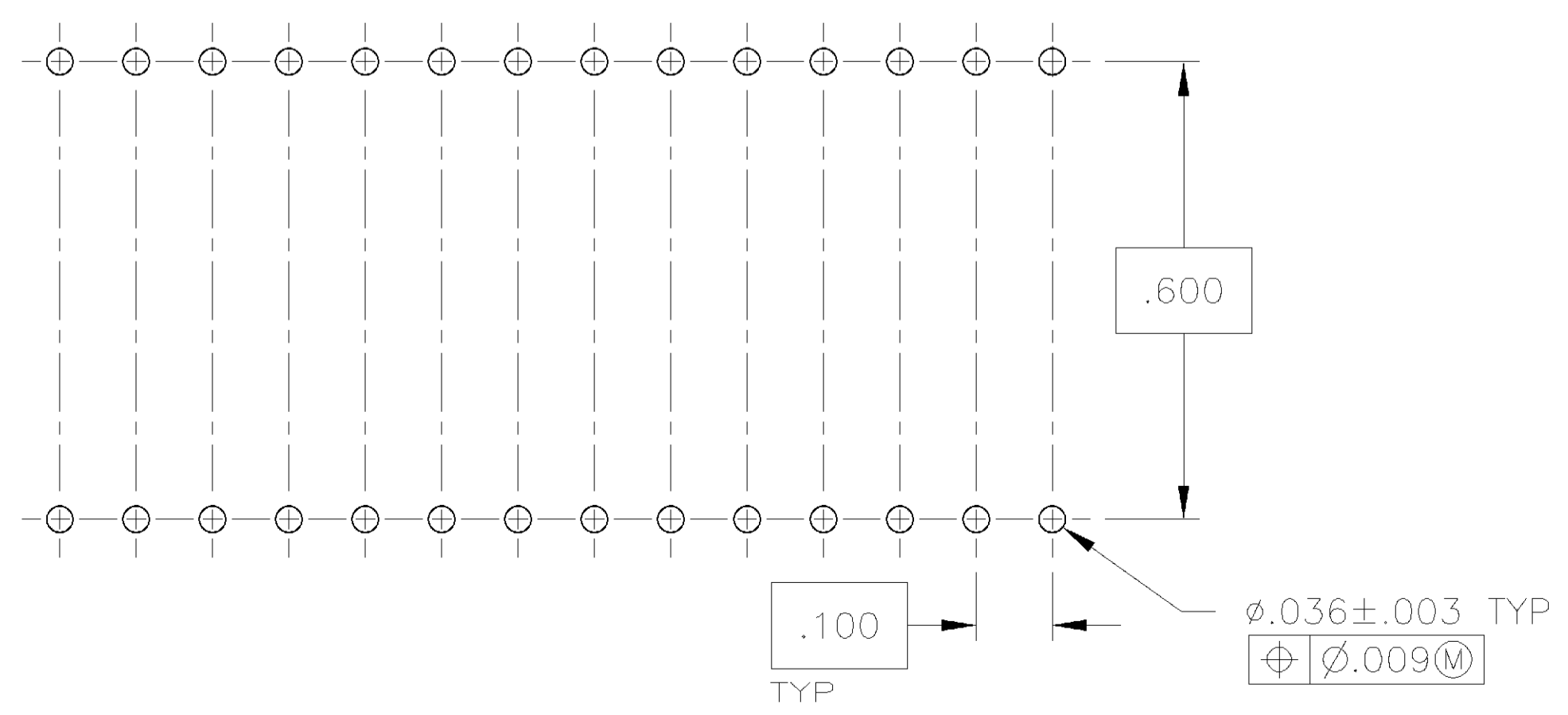
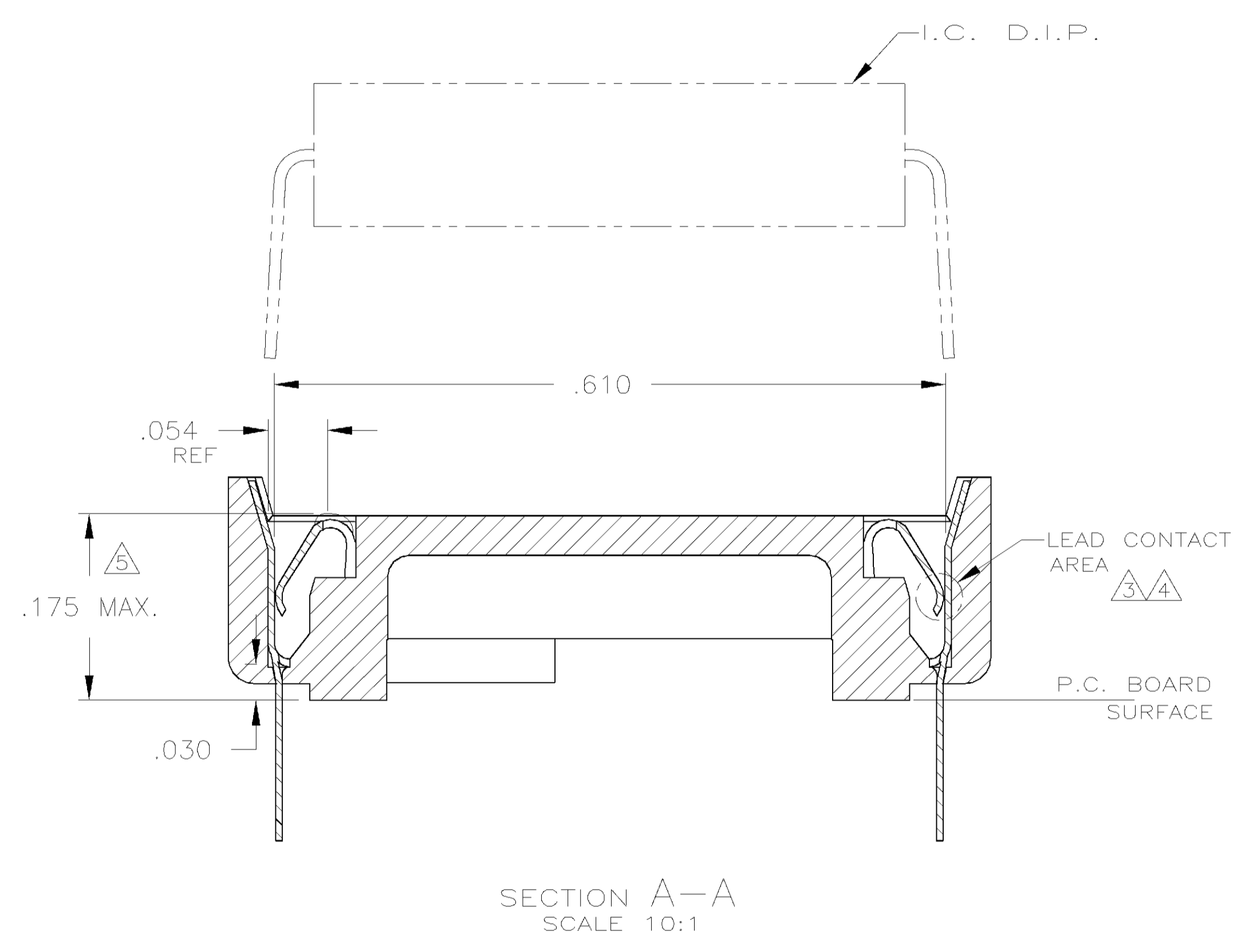
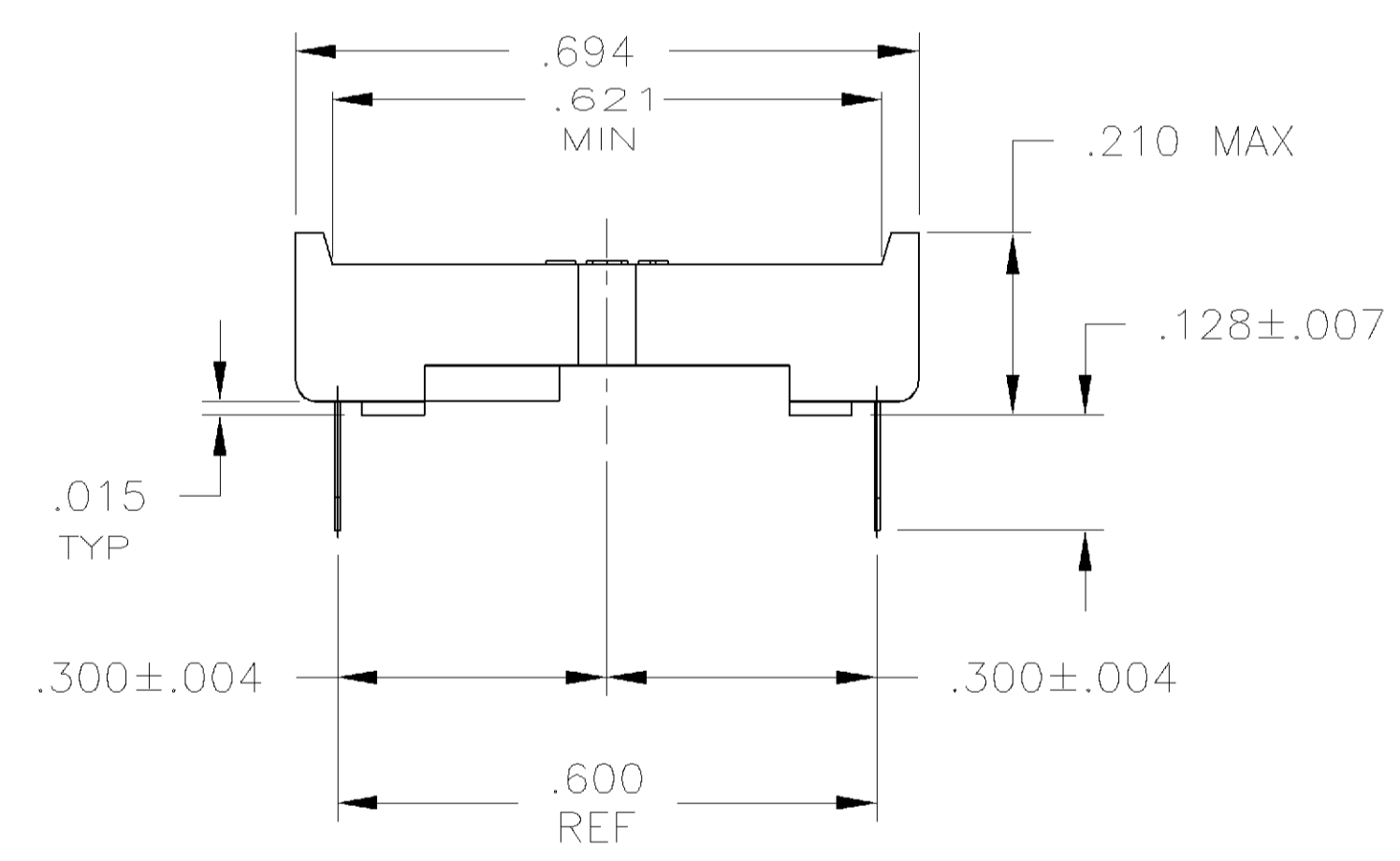
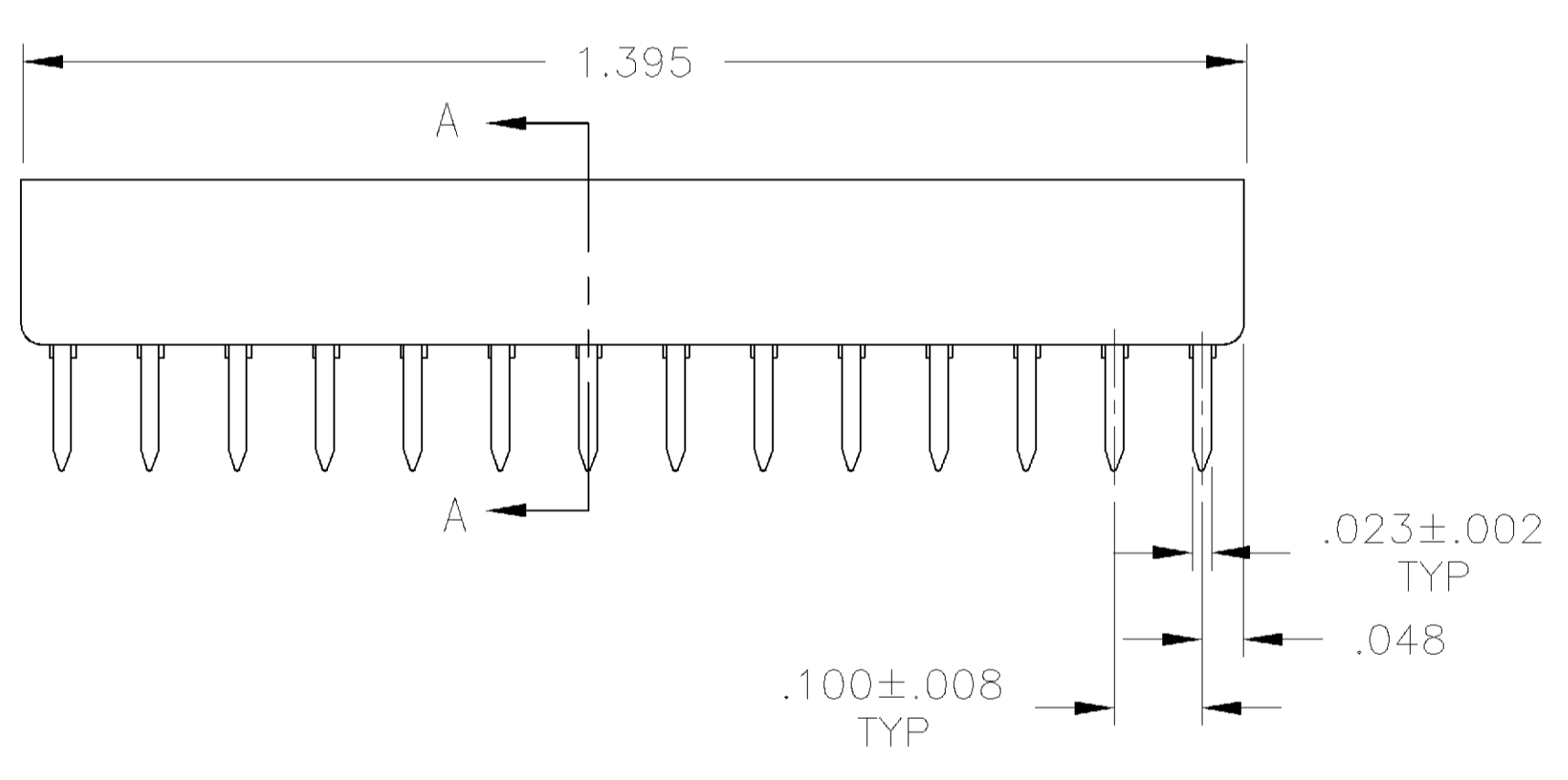


LOC		DIST		REVISIONS			
P	LYR	DESCRIPTION	DATE	OWN	APVD		
AD	0	REV PER 0G3C-0104-01	06SEP01	RB	JO		



- RECEPTACLE ACCEPTS A .008-.014 THICK I.C. LEAD.
- TUBE LOADED FOR AUTOMATIC INSERTION.
- TWO .000030 MIN THK. GOLD STRIPES IN CONTACT AREA WITH TIN-LEAD (93/7) ON CONTACT LEGS, BALANCE OF CONTACT NICKEL PLATED.
- TWO .000015 MIN THK. GOLD STRIPES IN CONTACT AREA WITH TIN-LEAD (93/7) ON CONTACT LEGS, BALANCE OF CONTACT NICKEL PLATED.
- MAXIMUM DIMENSION FOR I.C. SEATING PLANE.
- SPECIAL PACKAGING.



RECOMMENDED MOUNTING HOLE PATTERN
SCALE 4:1

SUPSD BY	CONTACT FINISH	CONTACT MAT'L	HOUSING MATERIAL	PART NO.
390262-2	TINNED	BE.CU. .006 THK	GLASS-FILLED THERMOPLASTIC, 94V-0, BLACK	5-640362-1
		PHOS.BRZ. .006 THK	GLASS-FILLED THERMOPLASTIC, 94V-0, BLACK	2-640362-4
390262-2	TINNED	PHOS.BRZ. .006 THK	GLASS-FILLED THERMOPLASTIC, 94V-0, BLACK	2-640362-3
		BE.CU. .006 THK	GLASS-FILLED THERMOPLASTIC, 94V-0, BLACK	2-640362-2
390262-2	TINNED	BE.CU. .006 THK	GLASS-FILLED THERMOPLASTIC, 94V-0, BLACK	2-640362-1

THIS DRAWING IS A CONTROLLED DOCUMENT.

DIMENSIONS: INCHES	TOLERANCES UNLESS OTHERWISE SPECIFIED:	0 PLC ± -	1 PLC ± -	2 PLC ± -	3 PLC ± .005	4 PLC ± -	ANGLES ± ±
--------------------	----------------------------------------	-----------	-----------	-----------	--------------	-----------	------------

MATERIAL	SEE TABLE	FINISH	SEE TABLE	WEIGHT	-	SIZE	A1	CAGE CODE	00779	DRAWING NO.	640362	RESTRICTED TO	-
----------	-----------	--------	-----------	--------	---	------	----	-----------	-------	-------------	--------	---------------	---

CUSTOMER DRAWING SCALE 5:1 SHEET 1 OF 1 REV AD